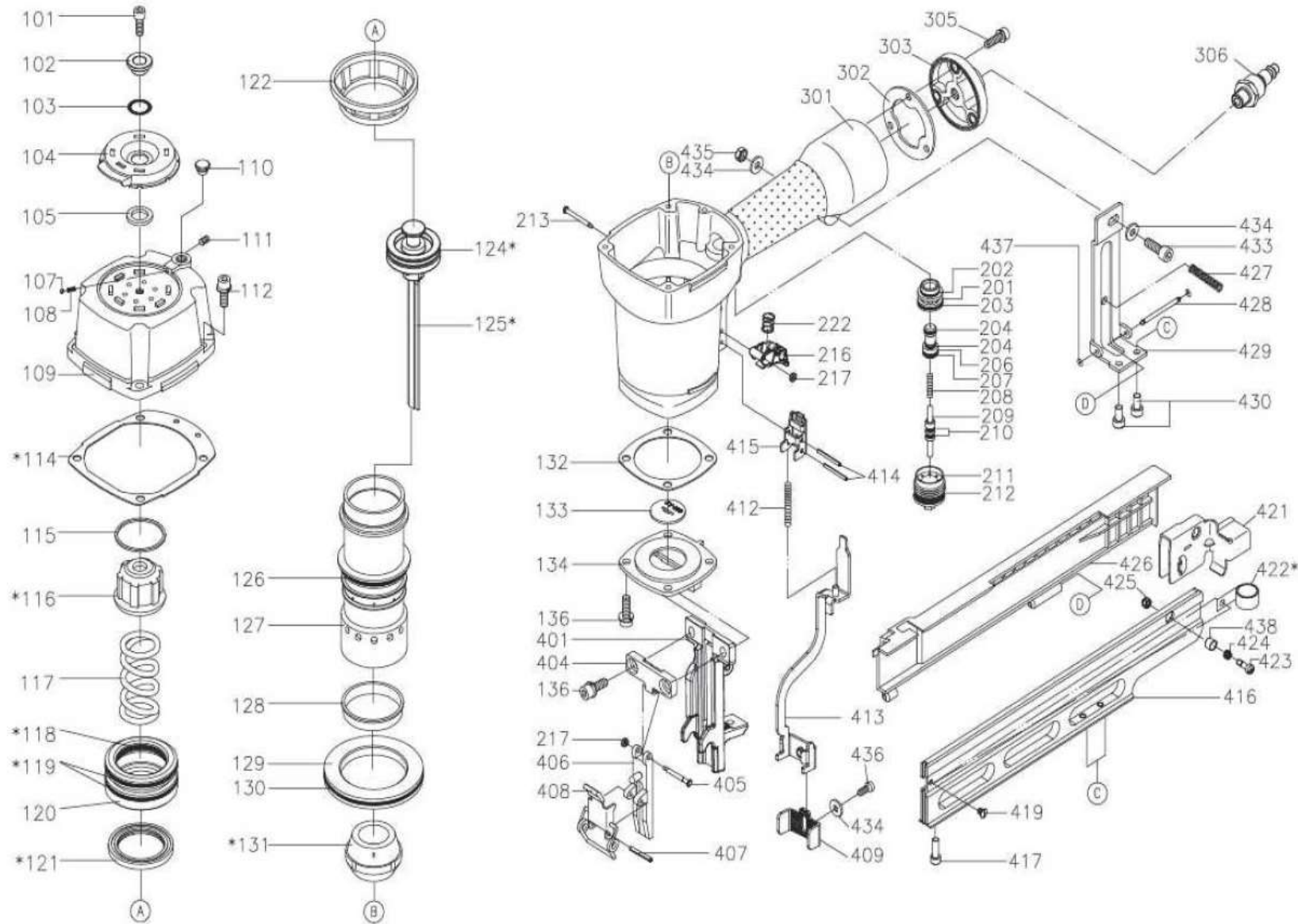


ESSVE Medium Stapler, ESSVE MS M2/50

Tool Partnr: 713079



Pos	PARTS NAME	ESSVE Partnumber	Pos	PARTS NAME	ESSVE Partnumber	Pos	PARTS NAME	ESSVE Partnumber
101	HEX.SOC.HD.BOLT	10001012	208	SPRING	871527	433	HEX.SOC.HD.BOLT	10004464
102	WASHER	10001359	209	PLUNGER	10004457	434	FLAT WASHER	2040202030100
103	O - RING	10001066	210	O - RING	10001061	435	LOCK NUT	10001057
104	DEFLECTOR	10001360	211	PLUNGER CAP	10004458	436	HEX.SOC.HD.BOLT	2040101030302
105	RUBBER PAD	10001361	212	O - RING	10001378	438	DEEP IMPACT SOCKET 1	10001397
107	BALL	10001362	213	TRIGGER PIVOT PIN	10001379	440	PU RETAINER	10004465
108	POSITIONING SPRING	10001369	216	TRIGGER UNIT	1122407647011			
109	CAP	10004448	217	URETHANE RETAINER	1131D04600011		Service Kits:	
110	GROMMET	10001370	222	SPRING	1137603700011		Service kit	901113
111	HEX.SOC.HD.SCREW	10001371	301	GUN BODY UNIT	10004459		Driver kit	901115
112	BOLT ASSY	872104	302	GASKET	10004460		Latch kit	901117
114	CYLINDER CAP SEAL	10004466	303	END CAP	10001380		Trigger valve kit	901119
115	GASKET	10004449	305	BOLT ASSY	874033			
116	SEAL	10004467	306	AIR PLUG	10002926			
117	COMPRESSION SPRING	10001372	401	DRIVER GUIDE	10001383			
118	O - RING	10004468	404	DRIVER GUIDE COVER B	10001385			
119	O - RING	10004469	405	FIXED PIN	1132400747011			
120	HD.VALVE PISTON	10001373	406	DRIVER GUIDE COVER A	1135200747041			
121	COLLAR	10004470	407	SPIRAL PINS	2040401051100			
122	CYLINDER PRESS RING	10001374	408	LOCK HANDLE UNIT	1124400747011			
124	O - RING	10004471	409	SAFETY A	1133100747051			
125	DRIVER UNIT	10004472	412	SAFETY SPRING	1133701047011			
126	O - RING	10002991	413	SAFETY B	1133200747041			
127	CYLINDER	10001375	414	SPRING PIN	10001046			
128	CYLINDER RING	10001376	415	SAFETY GUIDE	10001386			
129	CYLINDER SPACER	10001377	416	MAGAZINE A	10001387			
130	O - RING	10001065	417	HEX.SOC.HD.BOLT	10001388			
131	BUMPER	1132704600041	419	SPECIAL SCREW	10001392			
132	GASKET	10004450	421	PUSHER	10001393			
133	DRIVER GUIDE	10004451	422	SPRING	10004473			
134	BASE	10004452	423	DOOR LATCH	10004461			
136	BOLT ASSY	10004453	424	LATCH SPRING	10004462			
201	TRIGGER VALVE HEAD	10004454	425	LOCK NUT	10001056			
202	O - RING	10004455	426	MOUNTING BRACKET	10001394			
203	O - RING	10004456	427	SPRING	1131900147011			
204	O - RING	871524	428	HINGE POINT	10001395			
206	VALVE PLUNGER	871525	429	POSITIONING SHEET	10004463			
207	O - RING	871526	430	HEX.SOC.HD.BOLT	10004336			