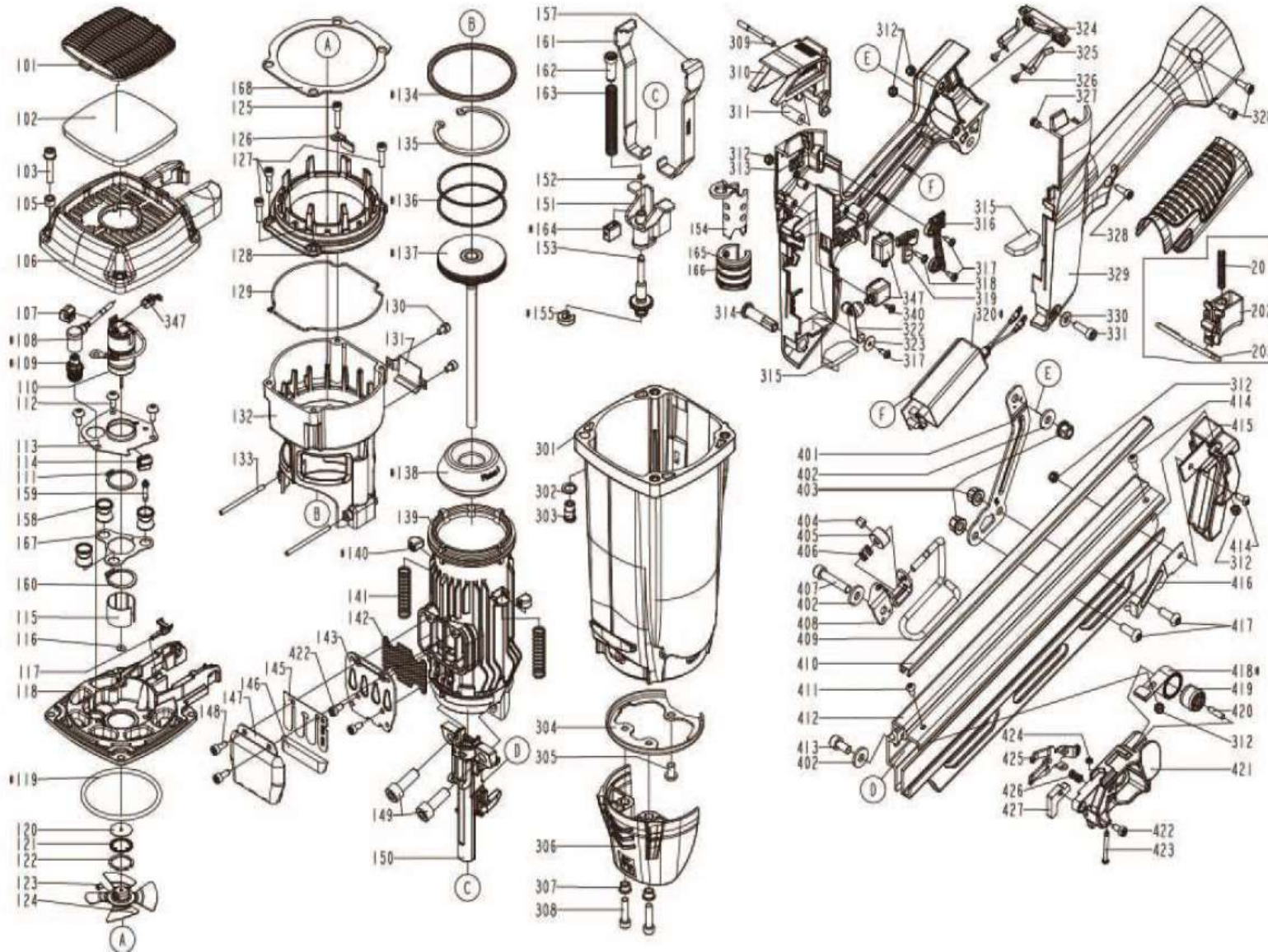


NAIL GUN ESSVE FNG 21/90 G3

Tool Partnr 713172



NAIL GUN ESSVE FNG 21/90 G3

Pos	Art. Nr.	Name	Pos	Art. Nr.	Name	Pos	Art. Nr.	Name	Service Kits	
101	10001277	DEFLECTOR	146	10001296	CLEANER	320	10004340	PCB ASSEMBLY	901137	Service Kit
102	10001215	FILTER UNIT	147	10001300	DEFLECTOR	322	10001212	MOTOR FAN SWITCH LEVER UNIT	901087	Driver kit
103	10001307	BOLT W/FLAT WASHER	148	10004329	HEX.SOC.HD.BOLT	323	10001319	FLAT WASHER	901127	Motor unit
105	10001274	COLLAR	149	10004330	HEX.SOC.HD.BOLT	324	10001268	BATTERY NODE BRACKET	901089	Feeding kit
106	10001260	CAP	150	10004485	NOSE PIECE	325	10001304	BATTERY NODE	901145	No Mark set
108	10001213	HIGH VOLTAGE CABLE SET	151	10001220	SAFETY B UNIT	326	10001315	TAP BOLT	901139	Electric unit
109	1120D11547011	SPARKLER	152	10001323	SELF-LOCKING EXTERNAL NUTS	327	10004341	LED COVER	901133	Battery
110	10001211	MOTOR UNIT	154	10001238	SAFETY A	328	10001009	HEX.SOC.HD.BOLT	901135	Charger + adapter
111	10001030	C - RING	155	10001225	RING	329	10004342	HANDLE B UNIT		
112	10001311	HALF ROUND HD.HEX.BOLT	157	10004332	SAFETY C(LEFT)	330	10004343	FLAT WASHER		
113	10001228	POSITIONING SHEET	158	10001251	FEED BUMPER	331	10001388	HEX.SOC.HD.BOLT		
114	10001269	GROUND WIRE BRACKET	159	10001305	POSITIONING SHAFT	340	10001317	SELF TAPPING BOLT		
115	10000990	SLEEVE MOTOR	160	10001031	C - RING	347	1122B11500011	MOTOR CABLE		
116	10000960	WASHER-MOTOR SHAFT	161	10001236	SAFETY C(RIGHT)	348	10001306	INSULATING SLEEVE		
117	113A6115111013	FUEL STEM ADAPTER	162	10001291	SAFETY ROD	401	10001233	BRACKET UNIT		
118	10004325	END CAP-COMBUSTION CHAMBER	163	10001241	SAFETY SPRING	402	10001188	FLAT WASHER		
119	10001326	O - RING	164	10001249	FEED BUMPER	403	10001195	BOLT CAP		
120	10001275	SEAL	165	901145 (3 pcs)	PROTECTIVE CASING	404	10004344	HEX.SOC.HD.SCREW		
121	10001230	SEAL PLATE-MOTOR	166	874763	FIXED RING	405	10004345	POSITIONING AXIS		
122	10001322	IN-CONCENTRIC RING	167	10001247	SPACER	406	10001289	SPRING RETAINER		
123	2040104020105	HEX.SOC.HD.SCREW	168	10001248	SPACER	407	10004346	HEX.SOC.HD.BOLT		
124	10001208	COOLING FAN ASSEMBLY	201	10001224	SPRING	408	875715	RAFT HOOK BRACKET		
125	10001309	HEX.SOC.HD.BOLT	202	10001221	TRIGGER	409	10001245	BELT HOOK		
126	10001253	GUIDE	203	10001239	SAFETY	410	10001292	STEEL CHANNEL		
127	10001308	HEX.SOC.HD.BOLT	301	10004334	GUN BODY	411	10001182	HALF ROUND HD.HEX.BOLT		
128	10004326	UPPER COMBUSTION CHAMBER	302	10001281	WASHER CAP	412	10001288	MAGAZINE		
129	10001235	PACKING	304	10004335	CYLINDER BRACKET	413	10001178	HEX.SOC.HD.BOLT		
130	10001003	HEX.SOC.HD.BOLT	305	10004336	HEX.SOC.HD.BOLT	414	10001183	HALF ROUND HD.HEX.BOLT		
131	10001295	WASHER	306	10001279	SAFETY COVER	415	10001160	PROTECTING HOOD COVER		
132	10004327	COMBUSTION CHAMBER	307	10001294	WASHER-NOSE COVER	416	10001074	NAIL STOP PLATE		
133	10004328	PIN	308	10001310	HEX.SOC.HD.BOLT	417	10001312	HALF ROUND HD.HEX.BOLT		
134	10001325	O-RING	309	10000864	PIN-FUEL ACTUATOR	418	10004324	PUSHER SPRING		
135	10001320	C - RING	310	10001303	FUEL ACTUATOR	419	10001283	ROLLING ELEMENT		
136	10001252	PISTON RING	311	10000992	BUSH-FUEL ACTUATOR	420	10004319	ROLL PIN		
137	10001207	DRIVER UNIT	312	10001055	LOCK NUT	421	10001140	PROTECTING HOOD COVER		
138	10001234	BUMPER	313	10004337	HANDLE A UNIT	422	872188	HEX.SOC.HD.BOLT		
139	10003362	CYLINDER	314	10004338	HANDLE BOLT	423	10001223	TRIGGER PIVOT PIN		
140	10001250	BUMPER-COMBUSTION CHAMBER	315	10004339	SPACER	424	1131D04600011	URETHANE RETAINER		
141	10001240	SAFETY SPRING	316	10001231	BRACKET UNIT	425	10004348	PUSHER		
142	1139W11500012	EXHAUST MESH PLATE	317	10001316	SELF TAPPING BOLT	426	1136F03747011	SPRING		
143	10001299	EXHAUST BAFFLE	318	10001318	SELF TAPPING BOLT	427	10001267	SQUARE UNITS		
145	1139X11500012	REED VALVE	319	10001232	WIRE GUIDE B					

