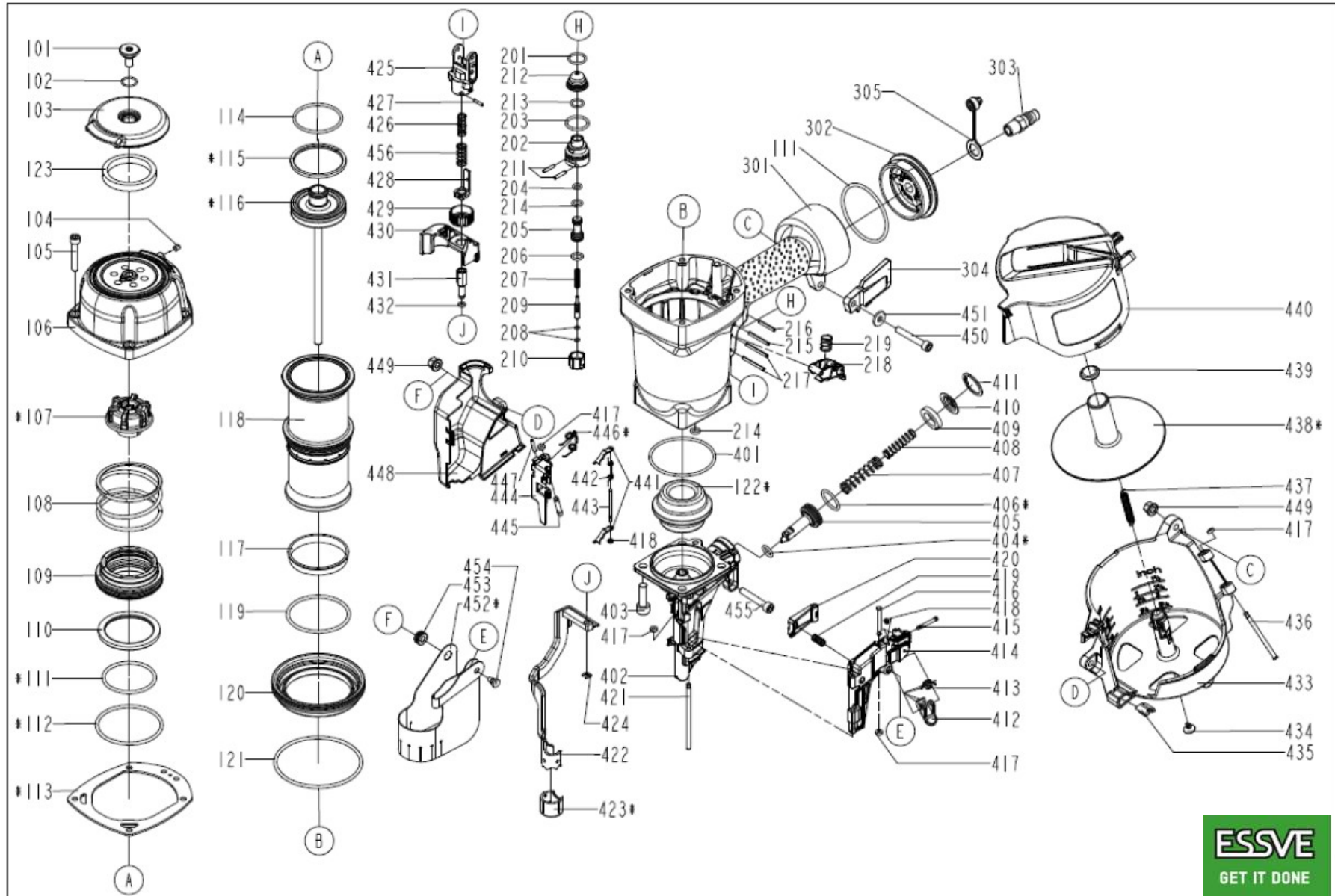


COIL NAILER ESSVE CN 15/90

Tool Partnr: 713063



COIL NAILER ESSVE CN 15/90

Pos	Art. Nr.	Name	Pos	Art. Nr.	Name	Pos	Art. Nr.	Name	Service kit	
101	10004352	DEFLECTOR BLOT(3M2353)	213	874335	O - RING	424	10001038	E - RING	901047	Service kit
102	874302	O - RING	214	874336	O - RING	425	10001095	SAFETY GUIDE	901049	Feeding kit
103	113B610847011	DEFLECTOR	215	10001192	SPIRAL PINS	426	10001093	SAFETY SPRING	901051	Driver kit
104	10001371	HEX.SOC.HD.SCREW	216	2040401051100	SPIRAL PINS	427	10001043	SPRING PIN	901053	Shatter protection
105	10004354	HEX.SOC.HD.BOLT	217	10001193	SPIRAL PINS	428	10001073	SAFETY B UNIT	901055	Door latch set
106	10004355	CAP	218	1122407647011	TRIGGER UNIT	429	10000980	ADJUST AXIE	901057	Trigger valve kit
107*	10001145	SEAL	219	1137603700011	SPRING	430	10001149	SAFETY COVER	901045	No mark set 3x423
108	10001119	COMPRESSION SPRING	301	10004361	GUN BODY UNIT	431	10001167	ADJUST ROD		
109	10001136	HD.VALVE PISTON	302	11346108A4012	END CAP	432	10001063	O - RING		
110	10001175	COLLAR	303	10004362	AIR PLUG	433	10001106	MAGAZINE CASE		
111*	2041101050210	O - RING	303	10002926	AIR PLUG	434	10001100	SPRING BASE		
112*	10001199	O - RING	304	1133D10847011	BELT HOOK	435	874379	WASHER		
113*	874312	CYLINDER CAP SEAL	401	874311	O - RING	436	1136R08647011	MAGAZINE SHAFT PIN		
114	10004356	O - RING	402	10003365	NOSE PIECE	437	10001086	PULL SPRING		
115*	874314	PISTON RING	403	10004363	HEX.SOC.HD.BOLT	438*	10001109	NAIL HOLDER		
116	10004357	DRIVER UNIT	404*	874348	O - RING	439	10001102	SPRING BASE A		
117	1132203700021	CYLINDER RING	405	10001131	FEED PISTON	440	1135510847011	MAGAZINE COVER		
118	10004358	CYLINDER	406*	874350	O - RING	441	10001111	NAIL STOP		
119	872121	O - RING	407	874351	PUSHER SPRING	442	10001096	STOPPER FINGER SPRING		
120	874319	CYLINDER SPACER	408	874352	PUSHER SPRING	443	10001112	PIN-NAIL STOP		
121	10001197	O - RING	409	10001104	FEED BUMPER	444	874388	FEED FINGER		
122*	1132710847011	BUMPER	410	10001133	FEED PISTON CAP	445	874389	PIN FEED PISTON		
123	10004359	MUFFLER	411	874355	C - RING	446*	874390	FEED FINGER SPRING		
201	874323	O - RING	412	10004364	LOCK LEVER	447	10004366	SPIRAL PINS		
202	874324	PLUNGER CAP	413	10004365	LATCH SPRING	448	10001103	SPRING COVER		
203	10001378	O - RING	414	10001127	DOOR	449	10001195	BOLT CAP		
204	871524	O - RING	415	874359	PIN	450	10001180	HEX.SOC.HD.BOLT		
205	874327	VALVE PLUNGER	416	874360	PIN-NAIL STOP	451	10001188	FLAT WASHER		
206	871526	O - RING	417*	1135H08600011	PU RETAINER	452*	874396	MUZZLE PROTECTOR		
207	874329	SPRING	418	1131D04600011	URETHANE RETAINER	453	10004367	PROTECTOR WASHER		
208	874330	O - RING	419	874363	SAFETY SPRING	454	10004368	DUST SHIELD PLUG		
209	874331	PLUNGER	420	874364	NAIL STOP	455	10004369	HEX.SOC.HD.BOLT		
210	874332	TRIGGER VALVE HEAD	421	10001129	DOOR SHAFT PIN	456	10004370	SAFETY SPRING		
211	874333	PIN	422	10001072	SAFETY A UNIT			TRIGGER VALVE SET		
212	874334	COVER-PLUNGER	423*	901045 (3pcs)	PROTECTIVE CASING					

